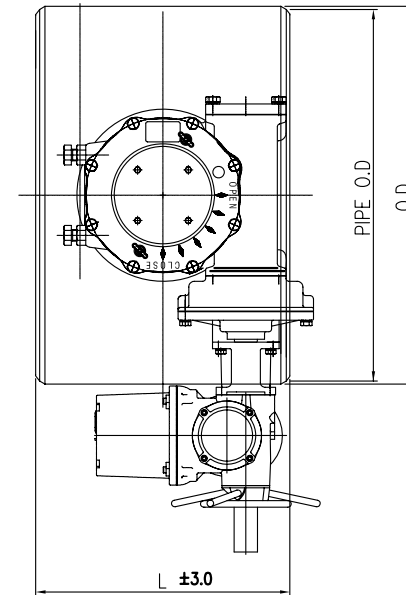
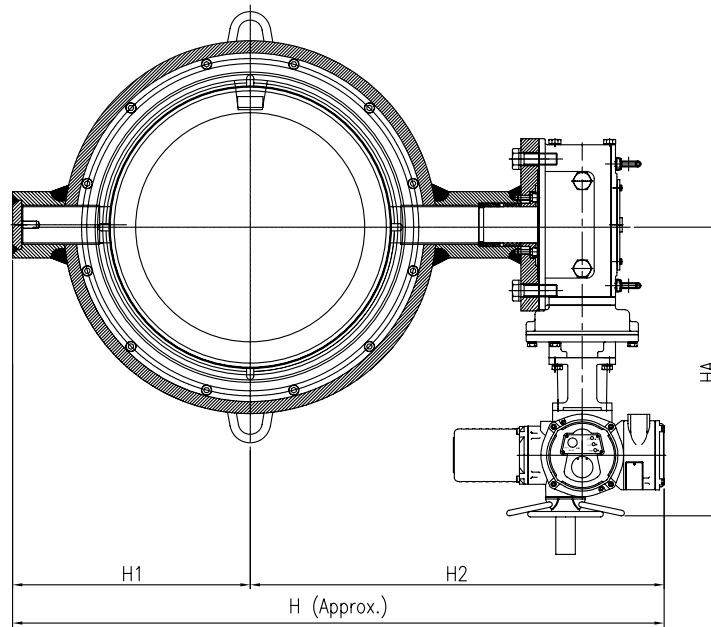


Valve End Connection : GOST STD.

DIMENSIONS mm													
DN		L	OD	PIPE O.D	H	H1	H2	HA	W	A	GEAR MODEL	GEAR RATIO	WEIGHT (Kg)
mm	Inch												
200	8"	230	223	219	458.5	146.5	312	205.5	400	62.5	KWG01-1SD	168:1	44
250	10"	250	278	273	559	189	370	224.5	480	75	KWG01-1SD	168:1	59
300	12"	270	330	325	620	214.5	405.5	224.5	480	75	KWG01-1SD	168:1	82
400	16"	310	433	426	744.5	266.5	478	287.5	560	91.5	KWG02-1SD	180:1	135
500	20"	350	536	530	879	328	551	336	600	113	KWG03-1SD	195:1	230
600	24"	390	639	630	982	379.5	602.5	336	600	113	KWG03-1SD	195:1	350
700	28"	430	731	720	1110	425.5	684.5	396	700	144.5	KWG04-1SD	168:1	530
800	32"	470	825	820	1204	472.5	731.5	396	700	144.5	KWG04-1SD	168:1	790
900	36"	510	927	920	1372	523.5	848.5	448.5	800	230	KWG05-1SD	270:1	1002
1000	40"	550	1030	1020	1477	575	902	448.5	800	230	KWG05-1SD	270:1	1450
1200	48"	630	1234	1220	1717	677	1040	569	900	230	KWG06-1SD	532:1	1980

NOTE
1. ALL DIMENSIONS ARE IN mm.

△						DESIGNED by	CHECKED by	APPROVED by	SCALE	CLIENT
	△								1 / 1	TITLE
	△								UNIT	BUTTERFLY VALVE WITH WORM GEAR
	△					10.	10.	10.	mm	
	△									
REV No.	REVISION DESCRIPTION	DATE	DRAWING by	CHECKED by	APPROVED by				DRAWING No.	REV No.
									BF-0200~1500-025-BW-00-G	0

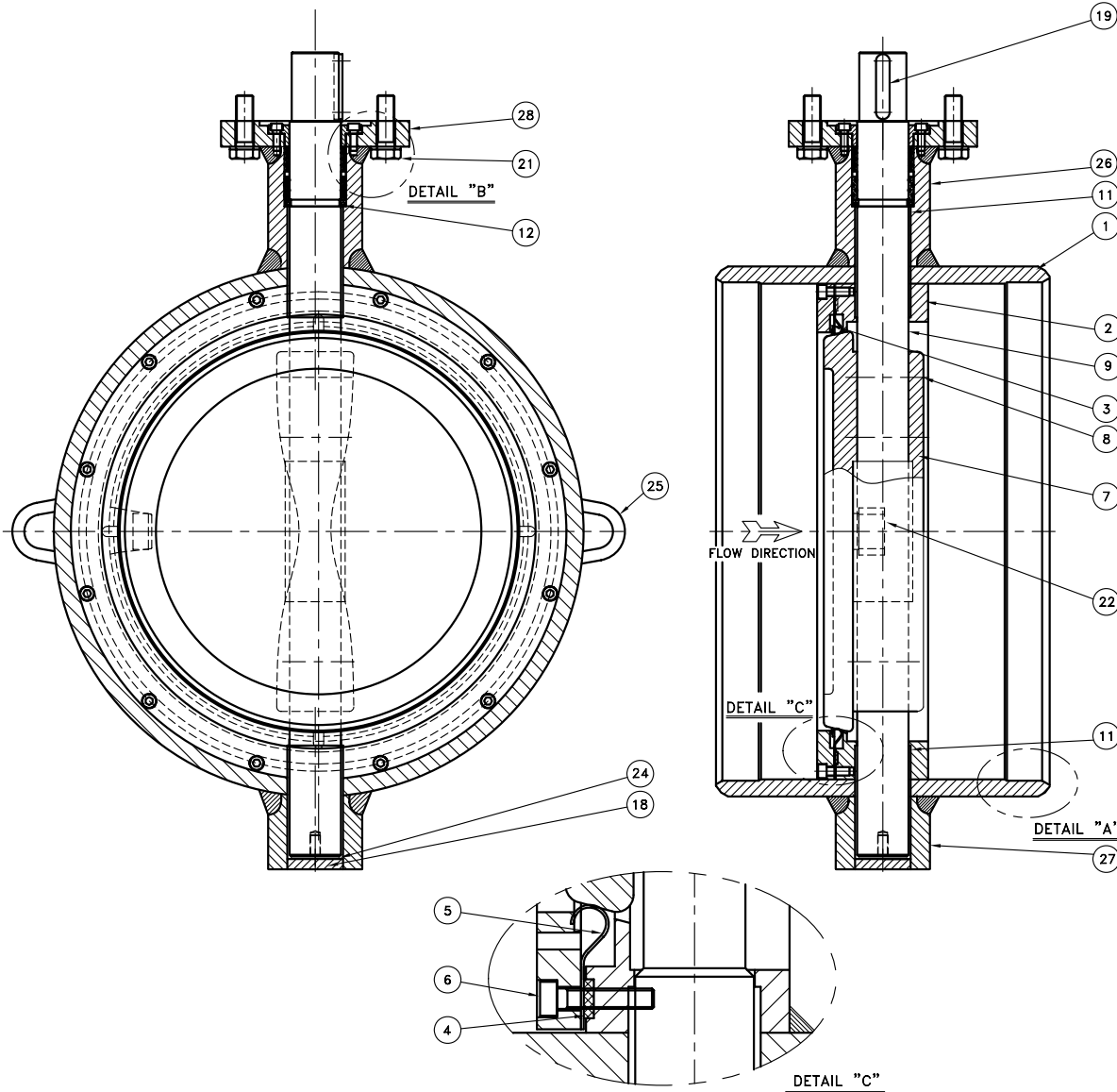


Valve End Connection : GOST STD.

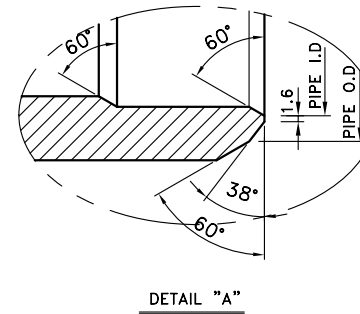
DIMENSIONS mm												
DN		L	OD	PIPE O.D	H	H1	H2	HA	GEAR MODEL	GEAR RATIO	ACTUATOR MODEL	WEIGHT (Kg)
mm	Inch											
200	8"	230	223	219	711.5	146.5	565	455.5	KWG01-1SD	168:1	AVA01	44
250	10"	250	278	273	812	189	623	455.5	KWG01-1SD	168:1	AVA01	59
300	12"	270	330	325	873	214.5	658.5	455.5	KWG01-1SD	168:1	AVA01	82
400	16"	310	433	426	997.5	266.5	731	518.5	KWG02-1SD	180:1	AVA02	135
500	20"	350	536	530	1132	328	804	567	KWG03-1SD	195:1	AVA03	230
600	24"	390	639	630	1235	379.5	855.5	567	KWG03-1SD	195:1	AVA03	350
700	28"	430	731	720	1363	425.5	937.5	667	KWG04-1SD	168:1	AVA04	530
800	32"	470	825	820	1457	472.5	984.5	667	KWG04-1SD	168:1	AVA04	790
900	36"	510	927	920	1625	523.5	1101.5	726.5	KWG05-1SD	270:1	AVA04	1054
1000	40"	550	1030	1020	1730	575	1155	726.5	KWG05-1SD	270:1	AVA04	1902
1200	48"	630	1234	1220	1970	677	1293	847	KWG06-1SD	532:1	AVA04	2055

NOTE
1. ALL DIMENSIONS ARE IN mm.

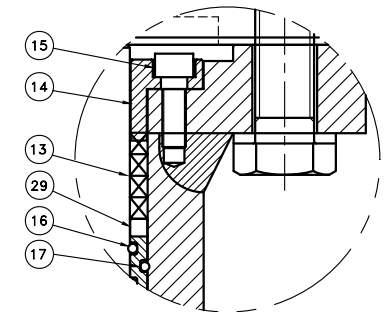
△							DESIGNED by	CHECKED by	APPROVED by	SCALE	CLIENT
△										1 / 1	TITLE
△										UNIT	BUTTERFLY VALVE WITH ACTUATOR
△							10.	10.	10.	mm	
△											DRAWING No.
REV No.	REVISION DESCRIPTION	DATE	DRAWING by	CHECKED by	APPROVED by					BF-0200~1500-025-BW-00-A	REV No.
											0



NO.	DESCRIPTION	MATERIALS	REMARKS
1	BODY	SB410	
2	SEAT HOLDER RING	SB410	
3	SEAT RETAINER RING	A276-304	
4	GASKET	C-4403	
5	SEAT	INCONEL625	
6	HEX WRENCH BOLT	H.T+Ni PL	
7	DISC	A351 CF8M	
8	DISC PIN	A276-316	
9	UPPER STEM	410 SS	
11	UPPER STEM BEARING	METALOPLAST	
12	UPPER STEM THRUST BEARING	PTFE	
13	GLAND PACKING	GRAFOIL	
14	GLAND	A276-304	
15	GLAND BOLT	A276-304	
16	O-RING	EPDM	
17	O-RING	EPDM	
18	LOWER STEM COVER	A283C	
19	KEY	A276-316	
21	GEAR BOX BOLT,S/W	H.T	
22	STOPPER	SB410	
24	LOWER STEM THRUST BEARING	METALOPLAST	
25	LIFTING LUG	A283C	
26	UPPER STEM NECK	A283C	
27	LOWER STEM NECK	A283C	
28	UPPER STEM NECK FLANGE	A283C	
29	O-RING BUSH	A276-304	



DETAIL "A"

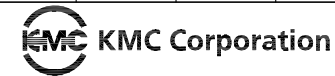


DETAIL "B"

NOTE

1. ALL DIMENSIONS ARE IN mm.
2. VALVE END CONNECTION : ANSI B16.25
3. HYDROSTATIC TEST PRESSURE : MSS-SP-61

△							DESIGNED by	CHECKED by	APPROVED by	SCALE	CLIENT
△										1 / 1	TITLE
△										UNIT	BUTTERFLY VALVE
△							09.	09.	09.	mm	MATERIAL LIST
△											DRAWING No.
REV No.	REVISION DESCRIPTION	DATE	DRAWING by	CHECKED by	APPROVED by	KMC Corporation		BF-0200~1500-025-BW-01		REV No.	0

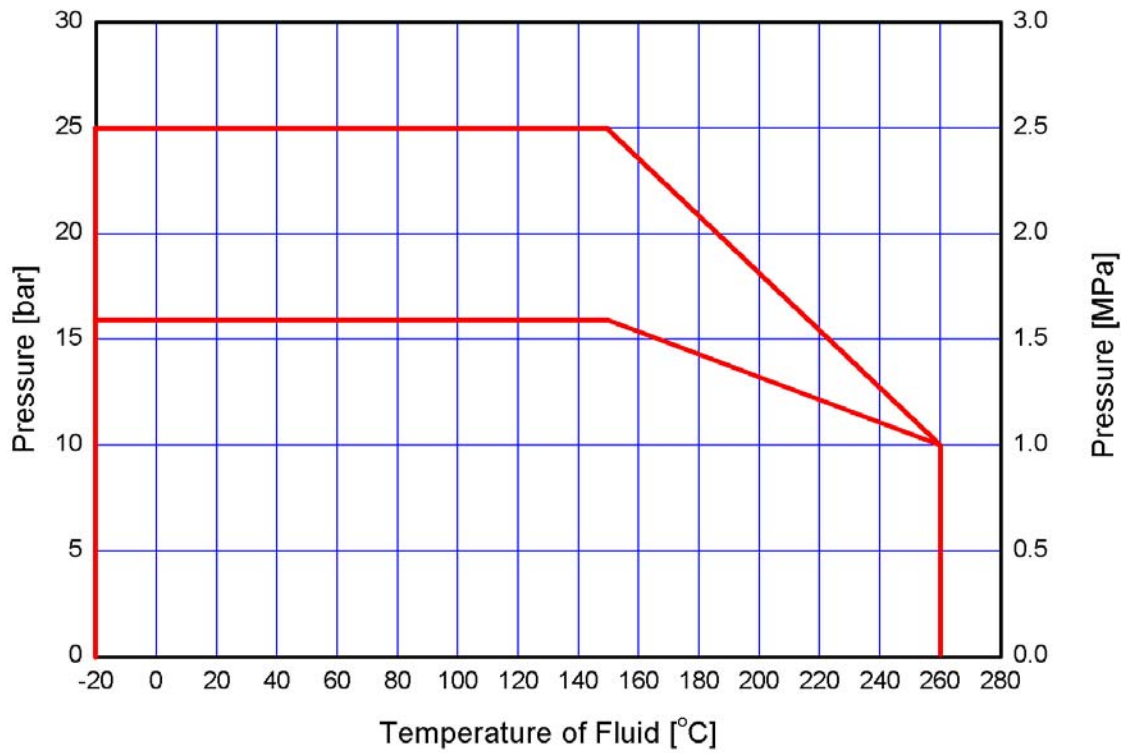


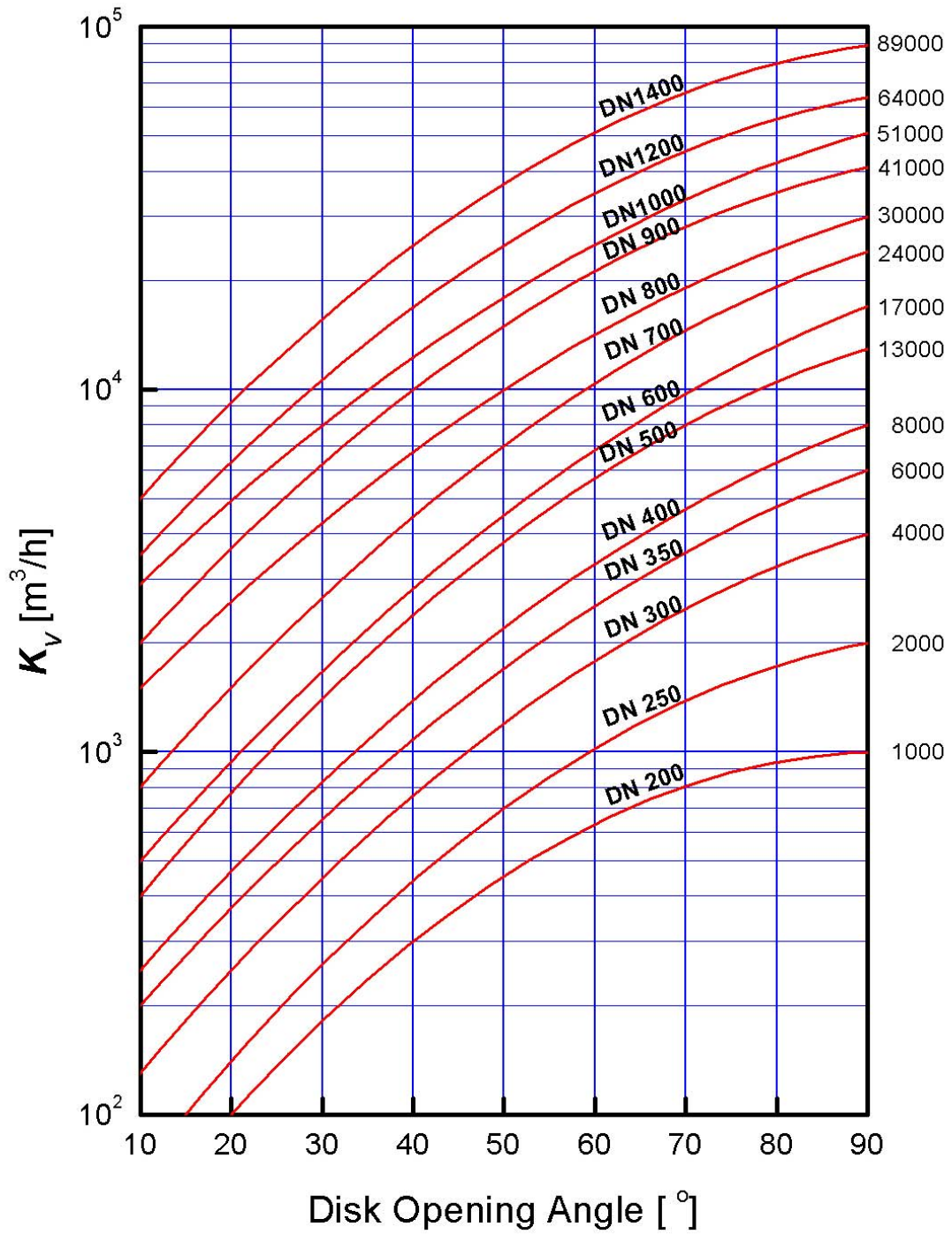
DRAWING No. BF-0200~1500-025-BW-01

REV No. 0

KMC
CORPORATION

PRESSURE / TEMPERATURE RATING



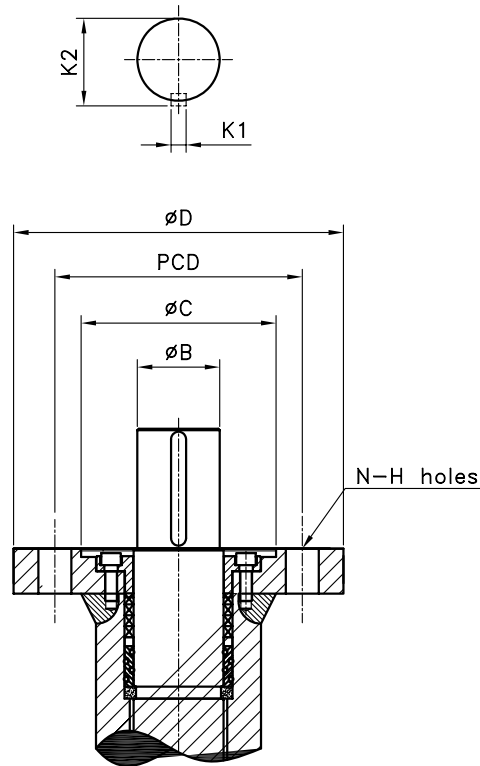


KMC CORPORATION	TECHNICAL SPECIFICATION	
NO	DESCRIPTION	DATA
1.	TYPE	BUTTERFLY VALVE
2.	SIZE	DN 200 ~ DN 1200
3.	VALVE MATERIAL	
4.	*BODY	CARBON STEEL (SB410)
	*DISC	A351 CF8M (316)
	*SEAT	METAL (INCONEL 625)
	*SPINDLE (DRIVE SHAFT)	410 SS
	*PACKING	GRAFOIL
	DESIGN PARAMETER	
5.	*TEMPERATURE	MIN. - 20°C
		MAX. +260°C
	*PRESSURE	16 Bar / 25 Bar
	*RATING	PN 16 / PN 25
	TYPE OF CONNECTION	BUTT-WELD TYPE (GOST)
6.	FLOW DIRECTION	BI-DIRECTION
7.	OPERATOR	WORM GEAR or ACTUATOR
8.	CONSTRUCTION METHOD OF BODY	WELDING

KMC CORPORATION	KMC BUTTERFLY VALVE TORQUE
----------------------------	-----------------------------------

NO.	SIZE	TORQUE (N.m)
1	DN 250	560
2	DN 300	950
3	DN 350	1500
4	DN 400	1600
5	DN 450	1800
6	DN 500	2700
7	DN 550	3500
8	DN 600	3900
9	DN 650	4500
10	DN 700	6200
11	DN 750	7500
12	DN 800	8000
13	DN 850	9100
14	DN 900	12000
15	DN 1000	14000
16	DN 1100	19500
17	DN 1200	28000

Actuator connection detail



NO.	VALVE SIZE	ISO TYPE	FLANGE						SHAFT	KEY	
			PCD	BOLT	N-ØH	C	D	t	ØB	K1	K2
1	200	F12	125	M12	4-Ø14	85	150	3	25	8	29
2	250	F14	140	M16	4-Ø18	100	180	5.5	30	8	33
3	300	F14	140	M16	4-Ø18	100	180	5.5	35	10	38
4	350	F16	165	M20	4-Ø22	130	210	5.5	40	12	44
5	400	F16	165	M20	4-Ø22	130	210	5.5	45	14	49
6	450	F16	165	M20	4-Ø22	130	210	5.5	50	14	55
7	500	F20	205	M16	8-Ø19	160	250	5.5	60	16	65
8	550	F20	205	M16	8-Ø19	160	250	5.5	60	16	65
9	600	F20	205	M16	8-Ø19	160	250	5.5	60	16	65
10	650	F20	254	M16	8-Ø19	200	300	9	65	20	70
11	700	F25	254	M16	8-Ø19	200	300	9	70	20	75
12	750	F25	254	M16	8-Ø19	200	300	9	75	20	80
13	800	F25	254	M16	8-Ø19	200	300	6	80	22	85
14	850	F25	254	M16	8-Ø19	200	300	6	85	22	90
15	900	F30	298	M20	8-Ø23	230	350	7	90	25	95
16	1000	F30	298	M20	8-Ø23	230	350	7	100	28	106
17	1100	F35	356	M30	8-Ø23	260	420	7	110	32	118
18	1200	F35	356	M30	8-Ø23	260	420	7	120	32	127

NOTE
1. ALL DIMENSIONS ARE IN mm.

△						DESIGNED by	CHECKED by	APPROVED by	SCALE	CLIENT	
△									1 / 1	TITLE	
△									UNIT	BUTTERFLY VALVE	
△						09.	09.	09.	mm	ACTUATOR CONNECTION DETAIL	
△										DRAWING No.	REV No.
REV No.	REVISION DESCRIPTION	DATE	DRAWING by	CHECKED by	APPROVED by					BF-0200~1500-025-BW-06	0

Butterfly Valve Actuator Spec.

2010. 4. 15

Butterfly Valve				KMC Worm gear								Actuator			Valve On-Off Time
DN	PN	Valve Torque(N.m)	Act'r Torque(N.m)	Model	Ratio	Base FL'G(Valve Top FL'G)			Actuator Conn. FL'G			Model	Torque (N.m)	RPM	
						BCB	Stem Dia.	Key	BCB	Stem Dia.	Key				
250	25	560	3000	KWG01-1SD	168:1	140	30	8*7	F10	25	8*7	AVA01	45	24	105S
300	25	950	3000	KWG01-1SD	168:1	140	35	10*8	F10	25	8*7	AVA01	45	24	105S
350	25	1500	3000	KWG02-1SD	180:1	165	40	12*8	F10	25	8*7	AVA02	80	24	116S
400	25	1600	3000	KWG02-1SD	180:1	165	45	14*9	F10	25	8*7	AVA02	80	24	116S
450	25	1800	3000	KWG02-1SD	180:1	165	50	14*9	F10	25	8*7	AVA02	80	24	116S
500	25	2700	5600	KWG03-1SD	195:1	205	60	16*10	F10	25	8*7	AVA03	110	24	125S
550	25	3500	5600	KWG03-1SD	195:1	205	60	16*10	F10	25	8*7	AVA03	110	24	125S
600	25	3900	5600	KWG03-1SD	195:1	205	60	16*10	F10	25	8*7	AVA03	110	24	125S
650	25	4500	5600	KWG04-1S	168:1	254	65	20*12	F14	32	10*8	AVA04	250	24	105S
700	25	6200	8000	KWG04-1S	168:1	254	70	20*12	F14	32	10*8	AVA04	250	24	105S
750	25	7500	8000	KWG04-1S	168:1	254	75	20*12	F14	32	10*8	AVA04	250	24	105S
800	25	8000	10000	KWG04-1S	168:1	254	80	22*14	F14	32	10*8	AVA04	250	24	105S
850	25	9100	10000	KWG04-1S	168:1	254	85	22*14	F14	32	10*8	AVA04	250	24	105S
900	25	12000	16000	KWG05-1SD	270:1	298	90	25*14	F14	32	10*8	AVA04	250	24	168S
1000	25	14000	16000	KWG05-1SD	270:1	298	100	28*16	F14	32	10*8	AVA04	250	24	168S
1100	25	19500	20000	KWG06-1SD	532:1	356	110	32*18	F14	32	10*8	AVA05	240	48	166S
1200	25	28000	32000	KWG06-1SD	532:1	356	120	32*18	F14	32	10*8	AVA05	240	48	166S